

Toyota / Lexus keys with 3D Pro Key Machines: DSD 361

Toyota Prius 2012 - 2014

Toyota Avalon 2013 - 2014

Toyota Camry 2012 - 2014

Toyota Corolla 2014

Toyota Highlander 2014

Toyota RAV4 2013 - 2014

Toyota Sienna 2011 - 2014

Scion FR-S 2013 - 2014

Lexus CT200h / CT F Sport 2011 - 2014

Lexus ES300h 2013 - 2014

Lexus ES350 2009 - 2014

Lexus GS350 2008 - 2014

Lexus GS450h / GS460 2008 - 2014

Lexus HS250h 2010 - 2012

Lexus IS-F 2009 - 2014

Lexus IS250 / IS350 / IS C 2008 - 2014

Lexus LS460 2010 - 2014

Lexus LS600h 2008-2014

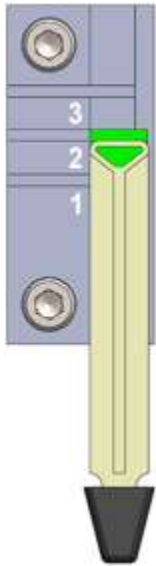
Lexus LX570 2009 - 2014

Code series: 80000 - 89999

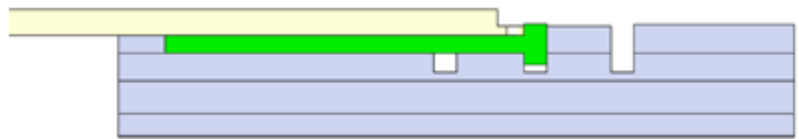
Key Blanks: Original Lexus Plain 69515-50260 Emergency 69515-50220, Silca TOY40

CLAMPING - TOP VIEW

JAW 1 - TIPSTOP 2

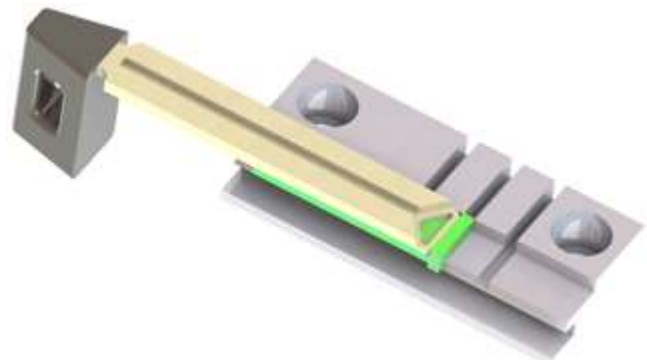
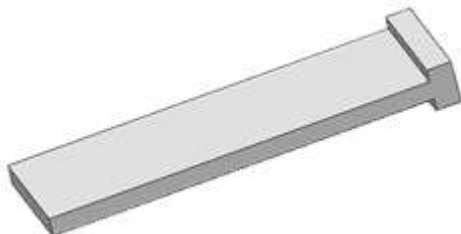


USE TR 0.0625 CUTTER
(Cutter 2)



CLAMPING SIDE VIEW
(SHIM HIGHLIGHTED GREEN)

USE SHIM IF USING THIN EMERGENCY KEY:
(T ADAPTER)



Toyota / Lexus keys with 3D Pro Key Machines: DSD 6, 18, 418

Toyota 4Runner 2010 - 2014

Toyota Avalon 2005 - 2012

Toyota Camry 2007 - 2011

Toyota Highlander 2008-2013

Toyota Land Cruiser 2008 - 2014

Toyota Prius 2010-2014

Toyota RAV4 2009-2012

Toyota Venza 2009-2014

Scion TC 2012-2014

Lexus LX470 2001-2008

Lexus RX300 1999-2003

Lexus RX330 / RX350 / RX400h 2004-2009

Lexus RX350 / RX450h 2010-2014

Lexus SC430 2002-2011

Lexus ES300 2002-2003

Lexus ES330 2004-2006

Lexus ES350 2007-2008

Lexus GS300 1998-2008

Lexus GS350 2006-2007

Lexus GS400 1998-2000

Lexus GS430 1998-2005

Lexus GS450h 2006-2007

Lexus GX460 2010-2014

Lexus GX470 2003-2009

Lexus IS250 / IS350 2006-2007

Lexus IS300 2001-2005

Lexus LS400 1998-2000

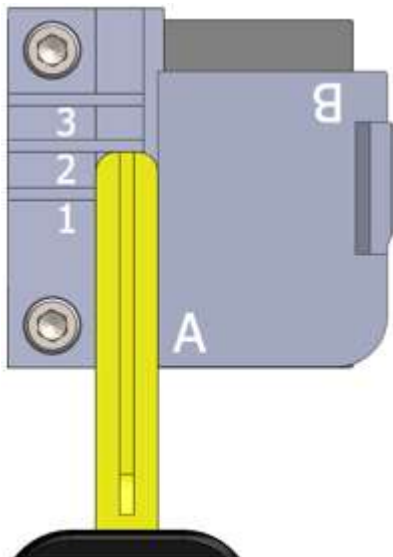
Lexus LS430 2001-2006

Code series: 40000 - 49999

Key Blanks: Original LEXUS, Ilco LXP90, Silca TOY40P TOY48P, JMA TOYO-18P

CLAMPING - TOP VIEW

JAW 1 - TIPSTOP 2



USE TR 2.5 CUTTER (Cutter 1)



Toyota / Lexus keys with 3D Pro Key Machines: DSD 22

Toyota 4Runner 2003-2014

Toyota Avalon 2005 - 2012

Toyota Camry 2002-2010

Toyota Celica 2003

Toyota Corolla 2002-2014

Toyota Echo 2003-2004

Toyota FJ Cruiser 2010-2014

Toyota FR-S 2013-2014

Toyota Highlander 2001-2014

Scion IQ 2012-2014

Scion TC 2005-2014

Scion XA 2004-2007

Scion XB 2004-2014

Scion XD 2008-2014

Toyota Land Cruiser 2003-2007

Toyota Matrix 2003-2013

Toyota Prius 2004-2009, C 2012-2014

Toyota RAV4 2006-2014

Toyota Sequoia 2008-2014

Toyota Sienna 2004-2014

Toyota Solara 2002-2009

Toyota Tacoma 2005-2014

Toyota Tundra 2007-2014

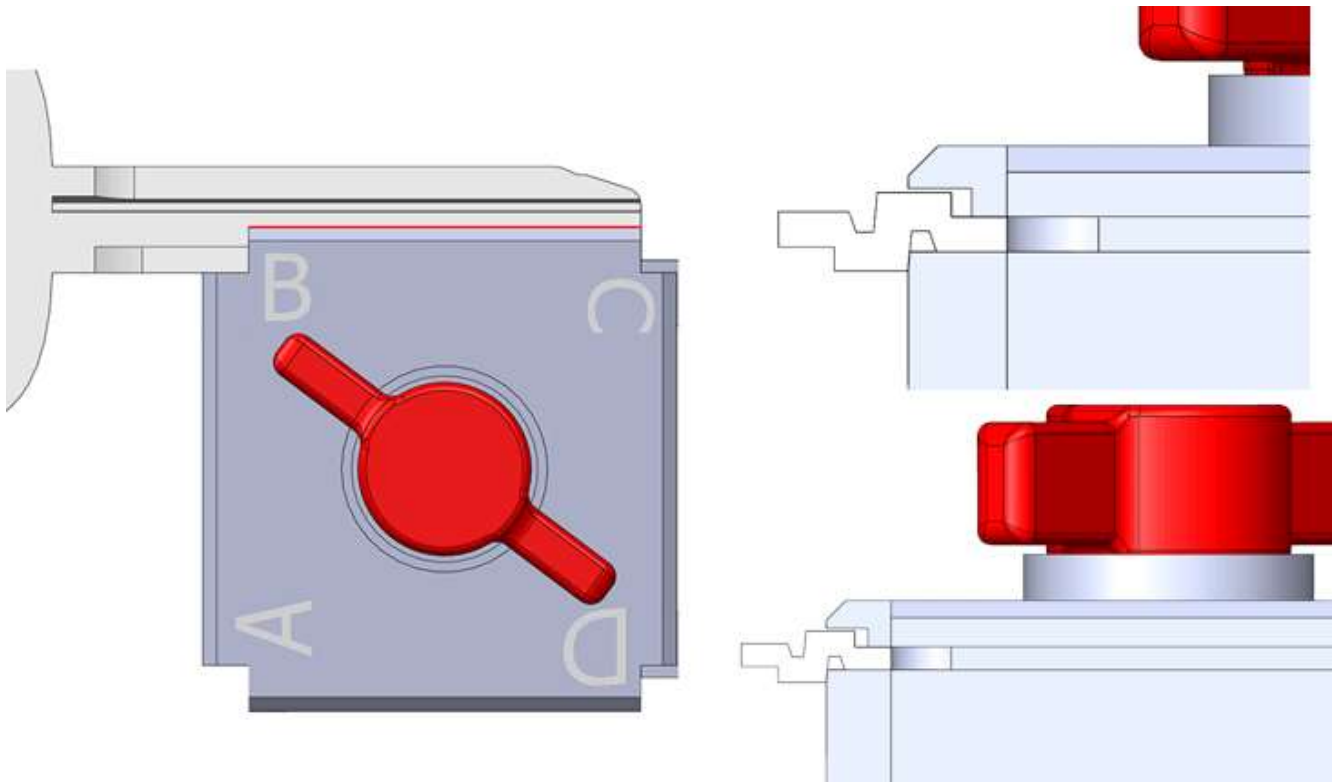
Toyota Venza 2004-2014

Toyota Yaris 2007-2014

Code series 50000 - 69999

Key Blanks: Original 96628232, Ilco / Silca DWO4RAP, JMA DAE-3P2 or DAE-4P1

Loosen the red Jaw 2 knob and turn the B side of the Jaw 2 facing the back of the machine toward the cutter wheel. Clamp using the Shoulder Stop and make to the place the key all the way to the back of the Jaw 2.

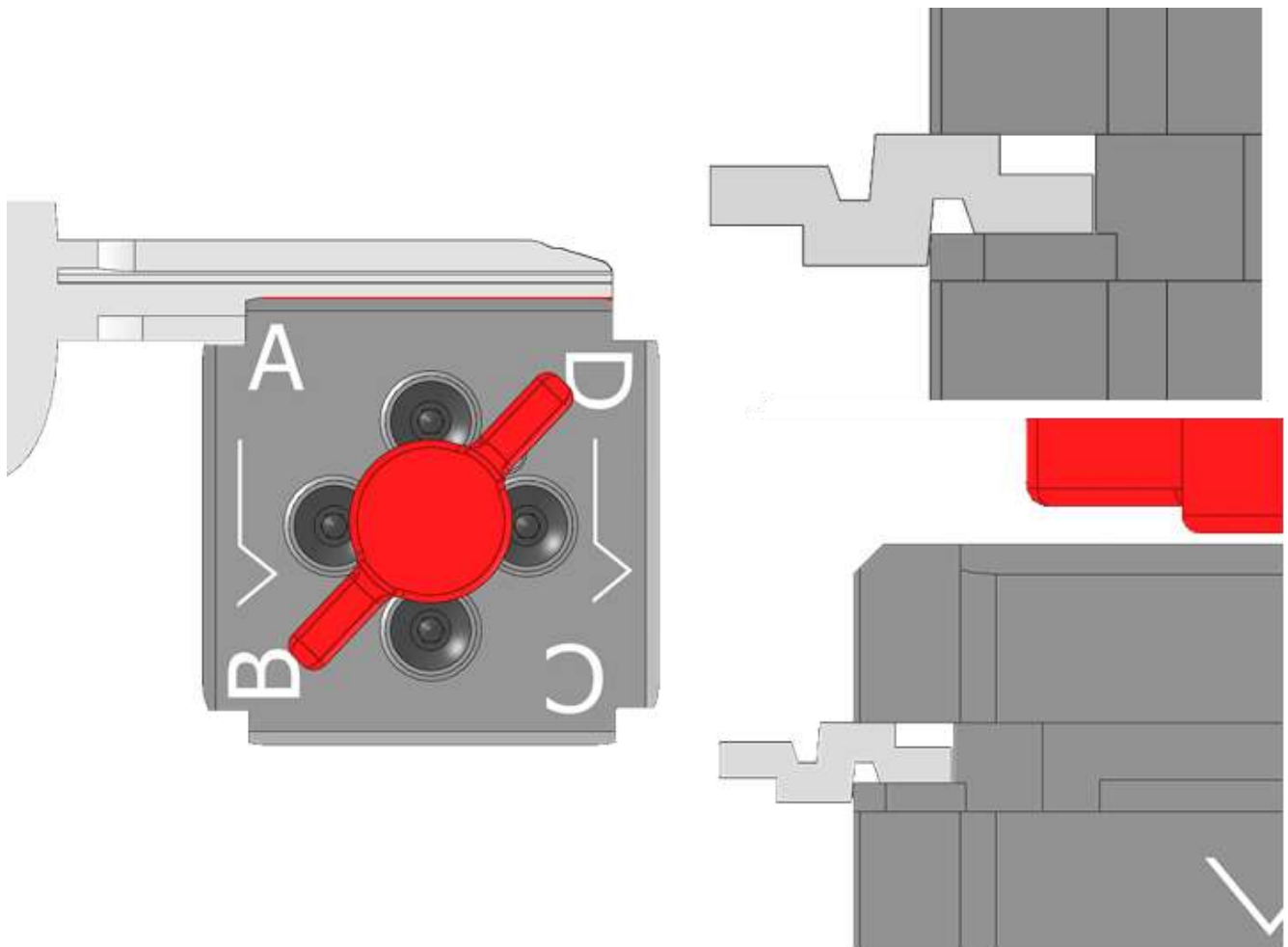


Toyota / Lexus keys with 3D Pro Key Machines: DSD 22

Code series 50000 - 69999

Key Blanks: Original 96628232, Ilco / Silca DWO4RAP, JMA DAE-3P2 or DAE-4P1

Clamped in A Side:



Toyota / Lexus keys with Xtreme S Key Machines: DSD 22

Toyota 4Runner 2003-2014

Toyota Avalon 2005 - 2012

Toyota Camry 2002-2010

Toyota Celica 2003

Toyota Corolla 2002-2014

Toyota Echo 2003-2004

Toyota FJ Cruiser 2010-2014

Toyota FR-S 2013-2014

Toyota Highlander 2001-2014

Scion IQ 2012-2014

Scion TC 2005-2014

Scion XA 2004-2007

Scion XB 2004-2014

Scion XD 2008-2014

Toyota Land Cruiser 2003-2007

Toyota Matrix 2003-2013

Toyota Prius 2004-2009, C 2012-2014

Toyota RAV4 2006-2014

Toyota Sequoia 2008-2014

Toyota Sienna 2004-2014

Toyota Solara 2002-2009

Toyota Tacoma 2005-2014

Toyota Tundra 2007-2014

Toyota Venza 2004-2014

Toyota Yaris 2007-2014

Code series 50000 - 69999

Key Blanks: Original 96628232, Ilco / Silca DWO4RAP, JMA DAE-3P2 or DAE-4P1

Clamped in B Side: Loosen the red Jaw 2 knob and turn to the B side of the Jaw (front of Jaw 2 should show **B**). Clamp using the Tip Stop and make the tooth is clamped on the center groove.

