

Toyota / Lexus keys with **Xtreme S** Key Machines: DSD 361

Toyota Prius 2012 - 2014

Toyota Avalon 2013 - 2014

Toyota Camry 2012 - 2014

Toyota Corolla 2014

Toyota Highlander 2014

Toyota RAV4 2013 - 2014

Toyota Sienna 2011 - 2014

Scion FR-S 2013 - 2014

Lexus CT200h / CT F Sport 2011 - 2014

Lexus ES300h 2013 - 2014

Lexus ES350 2009 - 2014

Lexus GS350 2008 - 2014

Lexus GS450h / GS460 2008 - 2014

Lexus HS250h 2010 - 2012

Lexus IS-F 2009 - 2014

Lexus IS250 / IS350 / IS C 2008 - 2014

Lexus LS460 2010 - 2014

Lexus LS600h 2008-2014

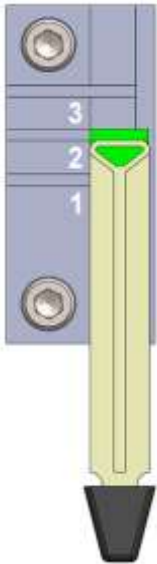
Lexus LX570 2009 - 2014

Code series: 80000 - 89999

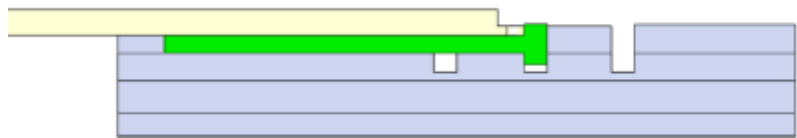
Key Blanks: Original Lexus Plain 69515-50260 Emergency 69515-50220, Silca TOY40

CLAMPING - TOP VIEW

JAW 1 - TIPSTOP 2

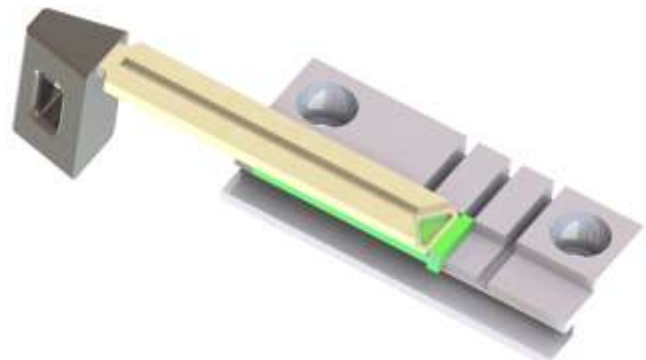
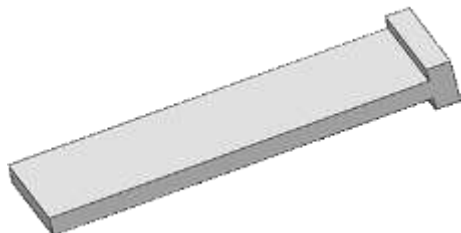


USE TR 0.0625 CUTTER
(Cutter 2)



CLAMPING SIDE VIEW
(SHIM HIGHLIGHTED GREEN)

USE SHIM IF USING THIN EMERGENCY KEY:
(T ADAPTER)



Toyota / Lexus keys with **Xtreme S** Key Machines: DSD 6, 18, 418

Toyota 4Runner 2010 - 2014

Toyota Avalon 2005 - 2012

Toyota Camry 2007 - 2011

Toyota Highlander 2008-2013

Toyota Land Cruiser 2008 - 2014

Toyota Prius 2010-2014

Toyota RAV4 2009-2012

Toyota Venza 2009-2014

Scion TC 2012-2014

Lexus LX470 2001-2008

Lexus RX300 1999-2003

Lexus RX330 / RX350 / RX400h 2004-2009

Lexus RX350 / RX450h 2010-2014

Lexus SC430 2002-2011

Lexus ES300 2002-2003

Lexus ES330 2004-2006

Lexus ES350 2007-2008

Lexus GS300 1998-2008

Lexus GS350 2006-2007

Lexus GS400 1998-2000

Lexus GS430 1998-2005

Lexus GS450h 2006-2007

Lexus GX460 2010-2014

Lexus GX470 2003-2009

Lexus IS250 / IS350 2006-2007

Lexus IS300 2001-2005

Lexus LS400 1998-2000

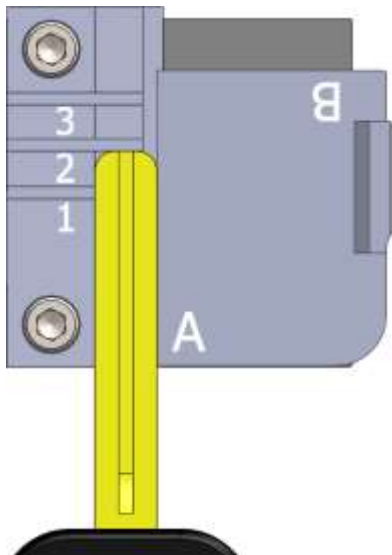
Lexus LS430 2001-2006

Code series: 40000 - 49999

Key Blanks: Original LEXUS, Ilco LXP90, Silca TOY40P TOY48P, JMA TOYO-18P

CLAMPING - TOP VIEW

JAW 1 - TIPSTOP 2



USE TR 2.5 CUTTER (Cutter 1)



Toyota / Lexus keys with Xtreme S Key Machines: DSD 22

Toyota 4Runner 2003-2014

Toyota Avalon 2005 - 2012

Toyota Camry 2002-2010

Toyota Celica 2003

Toyota Corolla 2002-2014

Toyota Echo 2003-2004

Toyota FJ Cruiser 2010-2014

Toyota FR-S 2013-2014

Toyota Highlander 2001-2014

Scion IQ 2012-2014

Scion TC 2005-2014

Scion XA 2004-2007

Scion XB 2004-2014

Scion XD 2008-2014

Toyota Land Cruiser 2003-2007

Toyota Matrix 2003-2013

Toyota Prius 2004-2009, C 2012-2014

Toyota RAV4 2006-2014

Toyota Sequoia 2008-2014

Toyota Sienna 2004-2014

Toyota Solara 2002-2009

Toyota Tacoma 2005-2014

Toyota Tundra 2007-2014

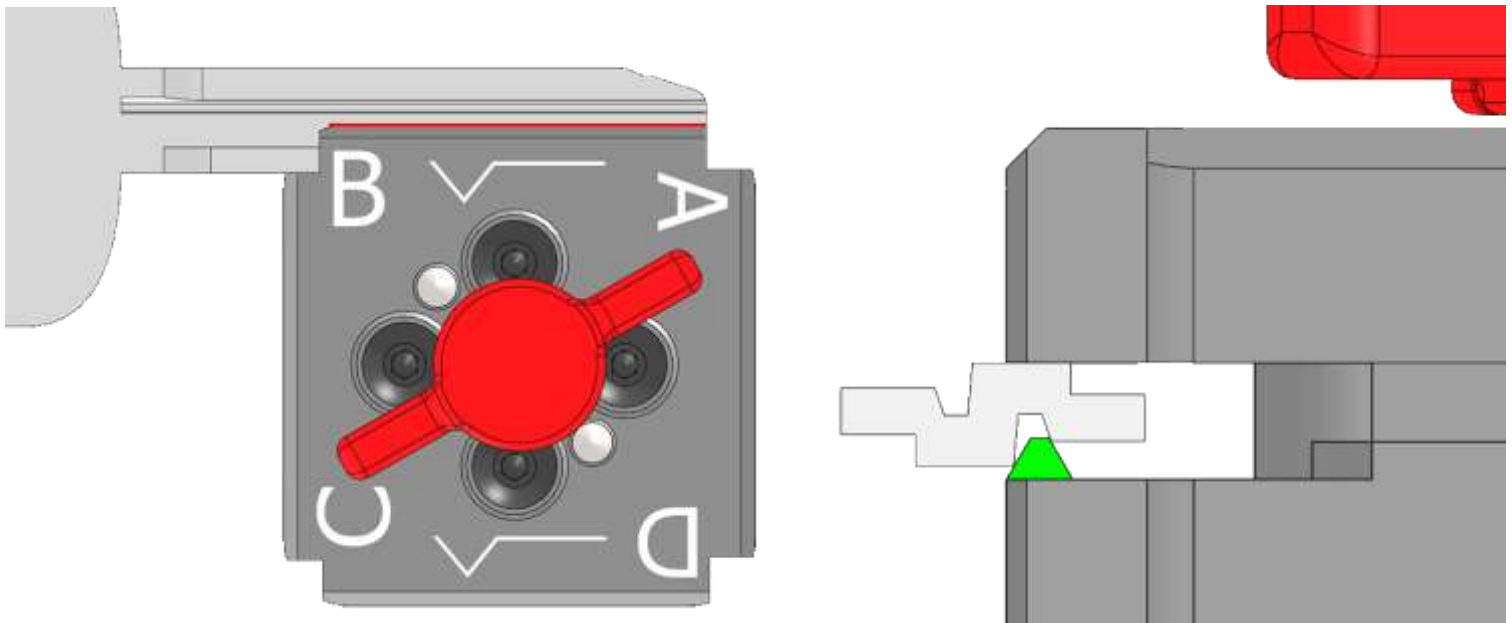
Toyota Venza 2004-2014

Toyota Yaris 2007-2014

Code series 50000 - 69999

Key Blanks: Original 96628232, Ilco / Silca DWO4RAP, JMA DAE-3P2 or DAE-4P1

Clamped in B Side: Loosen the red Jaw 2 knob and turn to the B side of the Jaw (front of Jaw 2 should show **B**). Clamp using the Tip Stop and make the tooth is clamped on the center groove.



Toyota / Lexus keys with Xtreme S Key Machines: DSD 22

Code series 50000 - 69999

Key Blanks: Original 96628232, Ilco / Silca DWO4RAP, JMA DAE-3P2 or DAE-4P1

Clamped in A Side:

